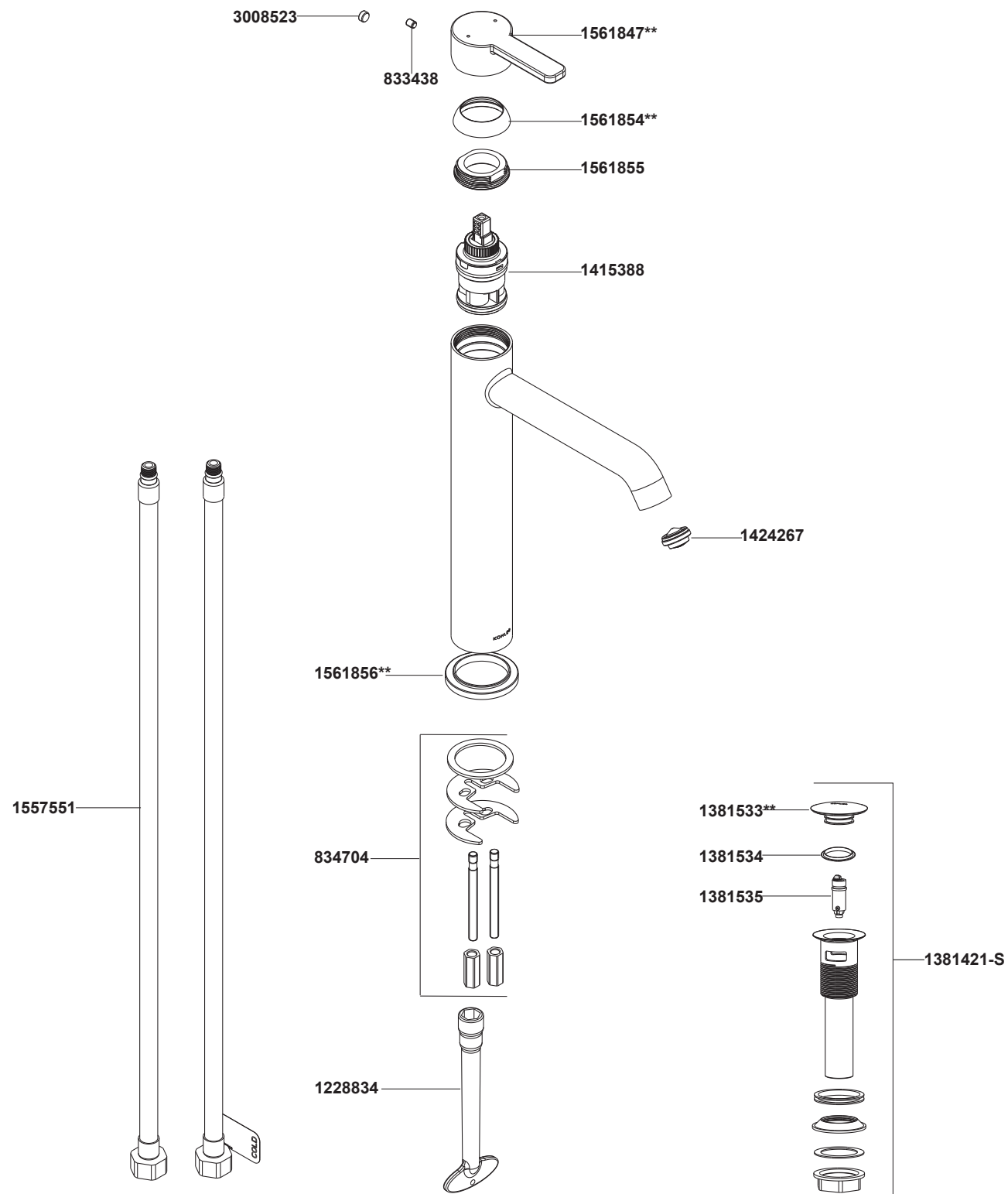


29397T-4 单把碗盆龙头_平杆型把手



**订购时请说明颜色编号

**Color code must be specified when ordering

29397T-4 单把碗盆龙头_平杆型把手

安装之前

所有的资料是按最新出版的产品资料编写而成。科勒公司保留任何时候不经通知即可改变产品特性、包装或产品可供类型的权利。

说明书包括重要的安装、保养及清洁方面的内容，请把这些资料交给用户阅读。

注意事项：

1. 一定要先彻底冲洗供水管以清除管道中的杂质。
2. 尽可能在安装脸盆之前安装水龙头。
3. 检查供水管有无损坏和漏水。如需要，进行替换和维修。
4. 遵守当地管路安装条例。
5. 切断供水管路。

BEFORE YOU BEGIN

All information is based on the latest product information available at the time of publication. Kohler Co. reserves the right to make changes in product characteristics, packaging, or availability at any time without notice.

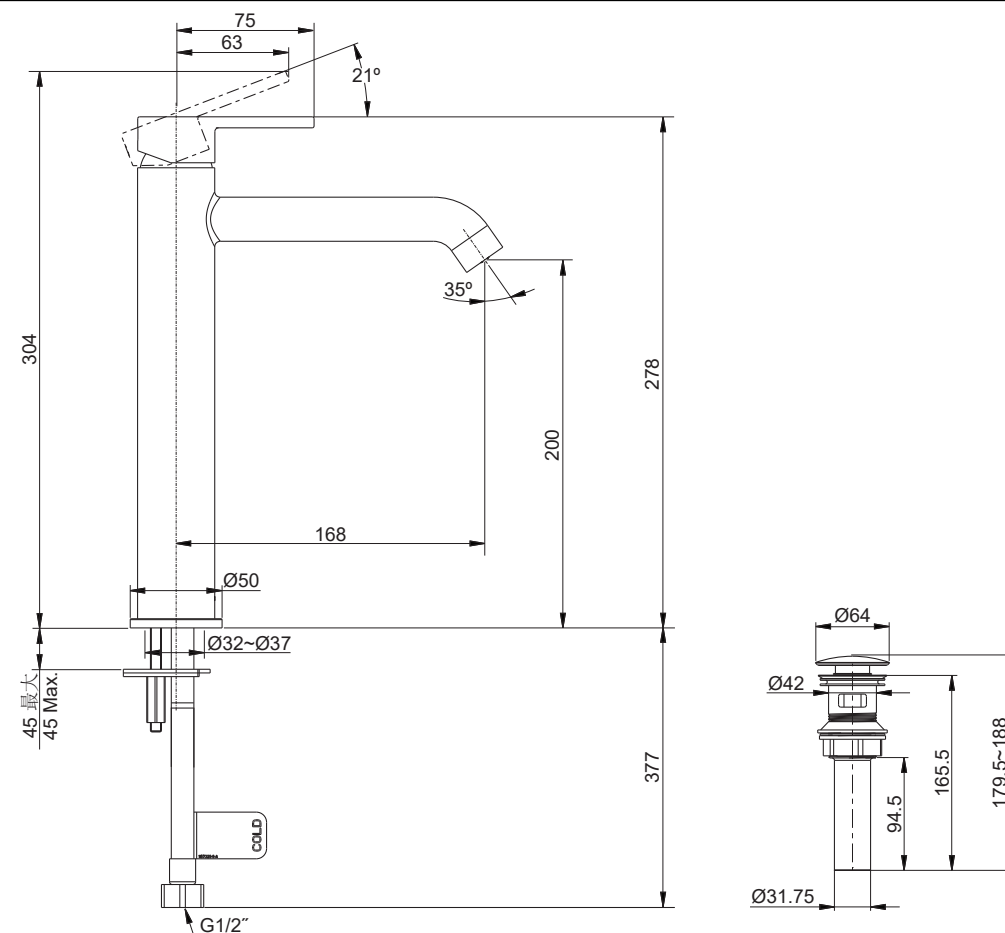
Please leave these instructions for the consumer. They contain important information.

NOTES:

1. Flush the water supply pipes thoroughly to remove debris.
2. If possible, install this faucet before installing the lavatory.
3. Inspect the supply tubing for damage and leakage. Replace and maintain as necessary.
4. Observe local plumbing codes.
5. Shut off the water supplies to the fitting.

安装尺寸

ROUGH-IN DIMENSIONS



安装步骤

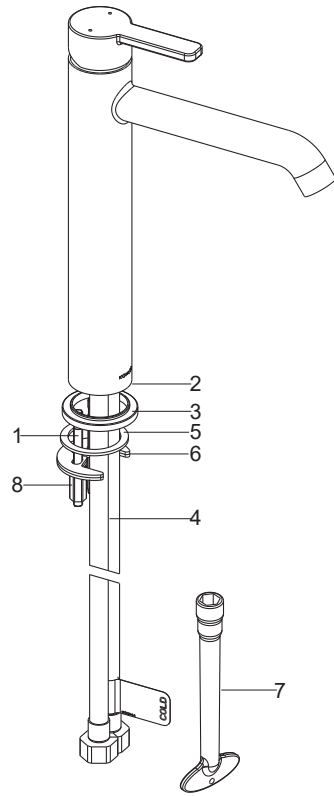
INSTALLATION

如何安装出水口

首先将固定螺栓(1)安装到水龙头(2)底部处。将装饰盖(3)穿过供水软管(4)和固定螺栓嵌入水龙头底部,接着将垫圈(5)放入到装饰盖底部槽中。

将水龙头组件插入脸盆安装孔中,使装饰盖底部接触台面。调整水龙头,从脸盆下方把垫片(6,橡胶垫片放在上面)套入固定螺栓,并用扳手(7)旋上螺母(8)以固定水龙头。

把软管接到水源,当您面对水龙头时左边为热水,右边为冷水,冷水管有“COLD”签。



How to Install the Spout

Install the mounting studs(1) onto the faucet body(2). Slide the escutcheon(3) over the hoses(4) and mounting studs into the faucet bottom. Insert the washer(5) into the bottom groove of the escutcheon.

Insert faucet assembly into the lavatory hole until the escutcheon is against the deck. Position the faucet. From underside of the lavatory, place the washers(6, Rubber washer is on the top) onto the mounting studs, and tighten the nuts(9) with a wrench(7) to secure the faucet.

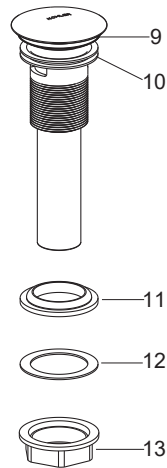
Attach the hoses to water supplies. When facing front of the faucet, the left hose should be connected to hot water, the right hose with “COLD” label should be connected to cold water.

如何安装排水器

把锁紧螺母(13)、塑料垫片(12)和橡胶垫圈(11)从排水本体上依次取下,把排水本体带橡胶垫片(10)从脸盆上部孔插入,再依次将橡胶垫圈(小面朝上)、塑料垫片和锁紧螺母从排水本体底部装入。将锁紧螺母锁紧。

注意: 如果需要,可直接在排水器法兰(9)底面沿周围涂一圈密封油灰或其他密封剂,而不使用橡胶垫片(10)。

在锁紧螺母拧紧后,不可调整排水本体的位置,否则会破坏油灰密封或密封剂密封。



How to Install the Drain

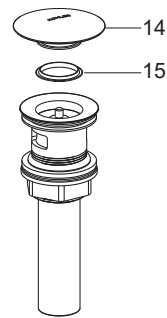
Remove the locknut(13), plastic washer(12) and rubber gasket(11) from the drain body. Insert the drain body with rubber washer(10) into the lavatory. Put the rubber gasket (Tapered side up), plastic washer and locknut back to the drain body in turn. Tighten the locknut.

NOTE: If needed, apply a ring of plumbers putty or other sealants around the underside of the drain flange(9), instead of using rubber washer(10).

Do not reposition the drain after the locknut is tightened, or you may break the putty or sealant seal.

如何清理排水器

逆时针旋下排水器止水塞(14),取出并清理止水垫(15)。重新装回止水塞、止水垫。



How to Clean the Drain

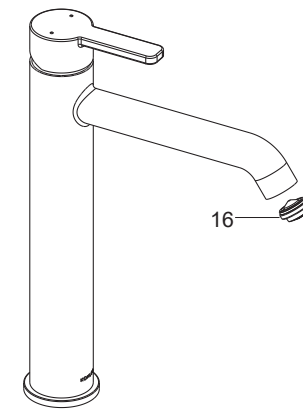
Turn counter-clockwise to unscrew the drain stopper(14). Remove and clean the washer(15). Reinstall the washer and drain stopper.

安装结果检查

INSTALLATION CHECKOUT

检查并确保所有衔接螺母都已拧紧。确保把手在关闭位置。打开排水器和主要供水源,检查并修理有漏水的接口。

拆下起泡器组件(16)。打开水龙头冷热水,让水流出约一分钟以清除杂质,检查渗漏。冲洗起泡器组件,关闭水龙头,重新装回起泡器组件。



Ensure all connections are tight. Ensure the handle is in the off position. Turn on the drain and main water supplies, and check for leaks. Repair as needed.

Remove the aerator kit(16). Turn on the faucet. Run hot and cold water through the faucet for about one minute to remove any debris. Check for leaks. Repair as needed. Remove any debris from the aerator kit. Shut off the faucet. Reinstall the aerator kit.

使用说明

HANDLE OPERATION

轻轻提起把手,顺时针旋转把手为热水,逆时针旋转把手为冷水。

Lift the handle gently. Turn clockwise for hot water, turn counter-clockwise for cold water.

清洗说明

CLEANING INSTRUCTIONS

适用于所有加工处理过的表面:以中性肥皂水清洗镀层表面,再以干净的软布彻底擦干整个表面,许多清洁剂,比如氨水、去污粉及洁厕灵等,会对电镀表面造成伤害,切忌使用。

All Finishes: Clean the finish with mild soap and warm water. Wipe entire surface completely dry with clean soft cloth. Many cleaners may contain chemicals, such as ammonia, chlorine, toilet cleaner etc. which could adversely affect the finish and are not recommended for cleaning.

有磨损性的清洁用具或清洁剂也不可适用于科勒牌的水龙头及其配件上。

Do not use abrasive cleaners or solvents on Kohler faucets and fittings.